

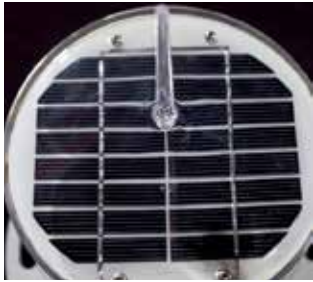
## SC 110

Marine self-contained LED light for buoys, beacons, marinas and aquaculture farms

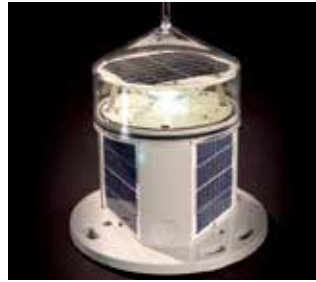
SC 110 is a durable short range LED lantern built from polycarbonate and including an integrated solar power system. This lantern is delivered with Nickel metal hydride battery. It has more than 6 years lifetime. The lantern is available in 3 and 4 NM versions.

- Range up to 4 NM (Tc = 0.74)  
4,5 NM (Tc = 0.85)
- Standard IALA colours Red, Green, White, Yellow
- Produced of durable polycarbonate plastic
- Available with NiMH batteries
- Internal calendar, light can be switched off for winter
- Adjustable intensity and range
- Vertical divergence  $8^\circ @ 50\% (\pm 1^\circ)$  of peak intensity
- Programmable with Sabik standard IR programming devices
- Integrated event log (Black box function) for 365 days
- The lantern is delivered in sleep mode. It automatically wakes up when unpacked and light is detected
- Optionally integrated GPS synchronization
- Optionally integrated GSM remote monitoring





**Lens**  
Bird deterred top design.



**Solar panels**  
Optionally 1 (3NM) or 4 (4NM) solar panels.



**Battery**  
Supplied with NiMH battery.



**Sabik Easy Programmer**  
User friendly and compact wireless two-way programmer.



**Programming with PC**  
Using Sabik USB interface.



**Storage charging**  
With external charger.



**Installation**  
The bottom plate of the SC 110 supports installation on structure using 3 or 4 x M12 on a 200 mm diameter or 3 x M8 on a 150 mm diameter.



**PTFE breathing**  
Vent for pressure release in the bottom of the product.

SELF-CONTAINED



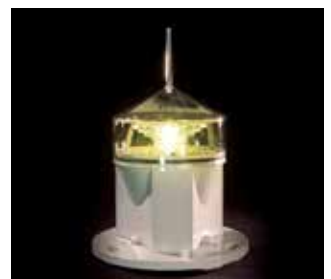
White



Red

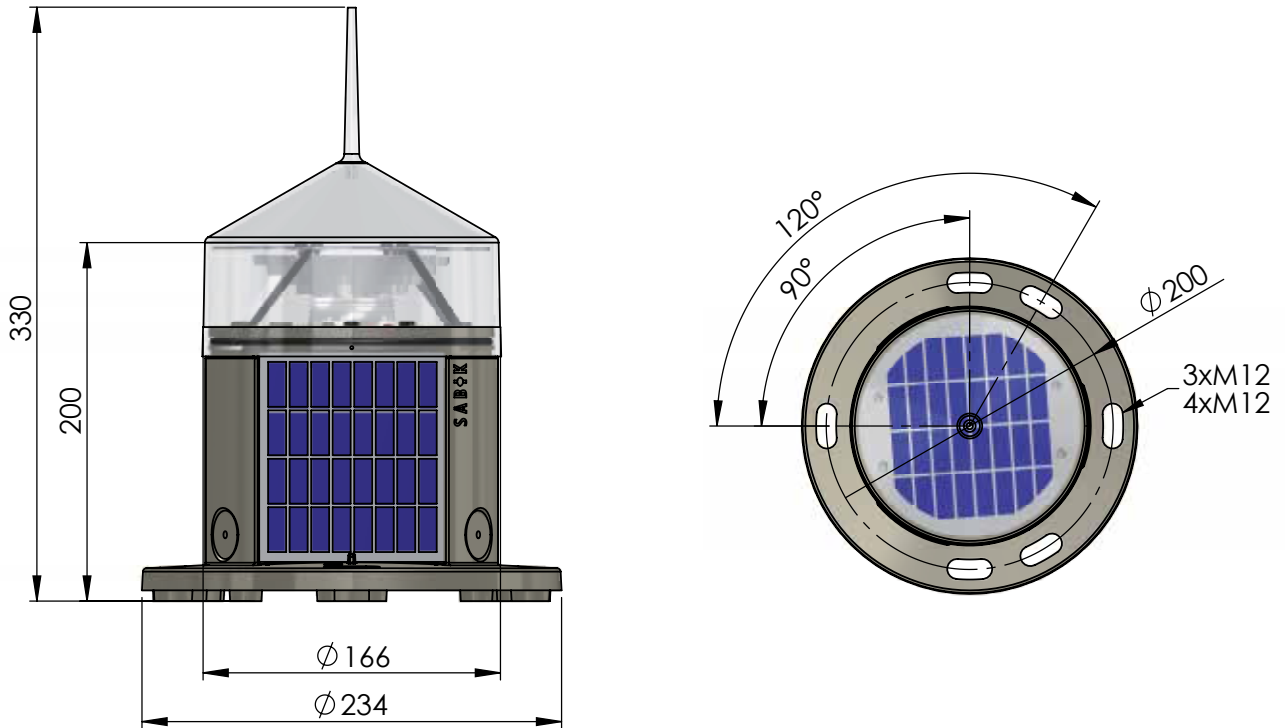


Green



Yellow

## Technical Specification SC 110



### Optical performance

Maximum fixed intensity

SC 110 max 4 NM    40 cd    40 cd    50 cd    45 cd

### Main Technical Specification

	up to 3 Nautical miles	up to 4 Nautical miles
Lens visual/Mechanical diameter	166 mm	
Lens material	UV stabilized Polycarbonate	
Light source	High Power Light Emitting Diode (LED)	
Vertical divergence	8° @ 50% (±1°) of peak intensity	
Unit lifetime	Up to 10 years	
Weight	2,5 kg	4,2 kg
Controller	Sabik SMC flasher	
Temperature range	-40°...+60°C	
Degree of protection	IP 67	
Battery Voltage NiMH	6,0 VDC	
Battery Voltage LiFePO <sub>4</sub>	6,4 VDC	
Battery capacity NiMH	8,6 Ah	26 Ah
Solar power	1,5W	4,5W

## Order Overview SC 110

### Option matrix

OPT 1S: Optical Feedback System	Integrated LED performance measurement
OPT 4S: GPS sync	Integrated GPS sync including GPS antenna
OPT 9S: LightGuard GSM + GPS	Integrated GSM based monitoring with GSM/GPS antennas
Shock & Tilt Sensor	Integrated 3-axis G sensor for tilt and shock sensing

### Product codes

Colour	SCN 110 up to 3 NM self-contained with NiMH battery	SCN 110 up to 4 NM self-contained with NiMH battery
white	SCN 110.2 WW	SCN 110.3 WW
red	SCN 110.2 WR	SCN 110.3 WR
green	SCN 110.2 WG	SCN 110.3 WG
yellow	SCN 110.2 WY	SCN 110.3 WY