

## LS 100

### LED Range Light

The LS 100 LED signal is designed for applications requiring short and medium range directional light, such as range lights and port traffic signals.

- Small and compact lantern
- Intensity adjustable in three steps from 25 % to 100 %
- Fully waterproof housing with PTFE vent for breathing
- Visual range from 2 to 12 NM (TC = 0,74)
- Standard IALA colours Red, Green, White and Yellow
- Low power consumption, ideal for solar system
- Flasher with day light switch can be integrated in the signal or installed externally in battery cabin
- Integrated solar panel regulator with LED Flasher
- Configuration and field maintenance with Programmer Mk2 or laptop computer
- Optional external GPS synchronization
- Optional external GSM Remote monitoring





**Sun shield**  
Protects lens from dust and bird droppings, and improves contrast in daytime.



**Mounting pedestal**  
The optional adjustable pedestal in AISI 316 stainless steel enables an easier alignment of the pencil beam with assistance of a precision gun sight.



**Installation**  
The mounting pedestal has an integrated holder for an eye sight tool.

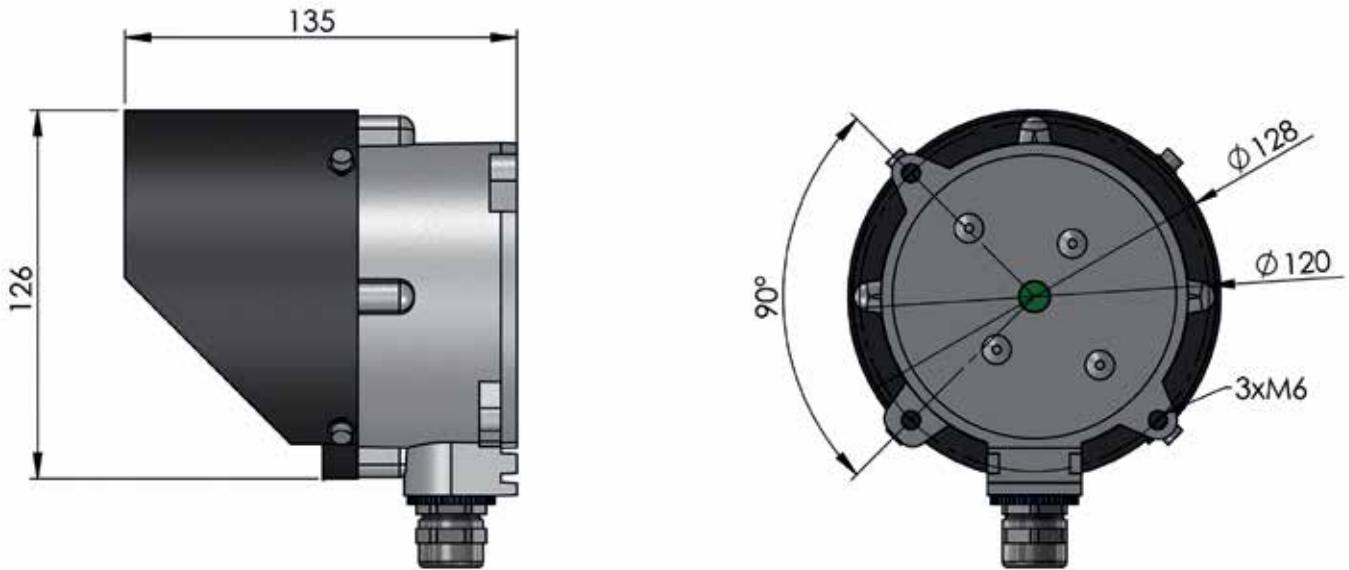


**Polycarbonate lens**  
The optical lens consists of 24 pcs miniature Fresnel elements creating a high efficiency precision beam.



**Sabik LHC Controller**  
When remote monitoring or more functionality is needed, like flash character, intensity setting etc. Sabik Lighthouse Controller can be used together with the light.

## Technical Specification LS 100



### Optical performance

| Maximum fixed intensity |          |          |          |          |
|-------------------------|----------|----------|----------|----------|
| At full power 4 W       | 3.000 cd | 3.000 cd | 5.000 cd | 4.000 cd |

### Main Technical Specification

|   |  |
|---|--|
| Lens visual/Mechanical diameter           | 100 mm   |
| Lens material                             | UV stabilized Polycarbonate  |
| Light source                              | Light Emitting Diodes (LEDs)   |
| Lens divergence (horizontal and vertical) | 4° @ 50% (± 1°) of peak intensity<br>8° @ 10% (± 2°) of peak intensity |
| Unit lifetime                             | Up to 10 years   |
| Weight                                    | 1.5 kg with integrated flasher   |
| Temperature range                         | -40°...+60°C   |
| Supply Voltage                            | 9 – 28 VDC   |
| Power consumption                         | 3 watts at full intensity  |

## Order Overview LS 100

### Option matrix

|               |   |
|---------------|---|
| SmartSync GPS | GPS based synchronization installed in external box |
|---------------|---|

For monitoring we recommend LHC.

### Product codes

| LS 100 STANDARD | LS 100 S with LEDFLASHER | Colour |
|-----------------|--------------------------|--------|
| LS 100W         | LS 100WLF                | white  |
| LS 100R         | LS 100RLF                | red    |
| LS 100G         | LS 100GLF                | green  |
| LS 100Y         | LS 100YLF                | yellow |